

Replacement parts are available from local UPG HVAC contractor / dealers or the nearest UPG Distribution Center.

FIG. 1 - SINGLE PACKAGE AIR CONDITIONER

SECTION	FIG	ITEM	DESCRIPTION	D1IG240NS2050A
COMPRESSOR				(8 BURNER)
	3	1	COMPRESSOR, DUAL HERMETIC (2-REQ'D)	015-02543-705
	2	2	ISOLATOR, COMPR.(12 REQ'D PER UNIT)	028-12342-000
	2	3	SCREW, 5/16-18 HEX WASH. HD. W/SLEEVE	021-16047-700
MOTORS				
	1	4	MOTOR, BLOWER BELT DRIVE	024-25380-700
	1	5	MOTOR, VENTOR	024-25918-701
	1	6	MOTOR, FAN 380/415V/3/50 (2-REQ'D)	024-25809-700
ELECTRICAL				
	4	7	BOARD, CIRCUIT	031-00852-700
	4	8	CIRCUIT BREAKER	[CB] 024-24055-000
	4	9	CONNECTOR, CAP (6 CIRCUIT)	[S9] 025-20963-000
	4	10	CONNECTOR, PLUG (6 CIRCUIT)	[P9] 025-19670-000
	*	11	CONNECTOR, CAP (9 CIRCUIT)	[S7] 025-21191-000
	*	12	CONNECTOR, PLUG (9 CIRCUIT)	[P7] 025-21192-000
	*	13	CONNECTOR, CAP (15 CIRCUIT)	[S4] 025-20788-000
	*	14	CONNECTOR, PLUG (15 CIRCUIT)	[P4&P11] 025-20918-700
	*	15	CONTACT, PIN (BOX OF 50) (1)	[S4,S7] 025-20533-700
	*	16	CONTACT, SINGLE LEAF	[S6] 025-26220-000
	*	17	CONTACT, SOCKET (BOX OF 50)	[P7,P11] 025-19673-700

* NOT SHOWN

(1) USE HAND TOOL #044-02999-700 WHEN APPLYING CONTACT.

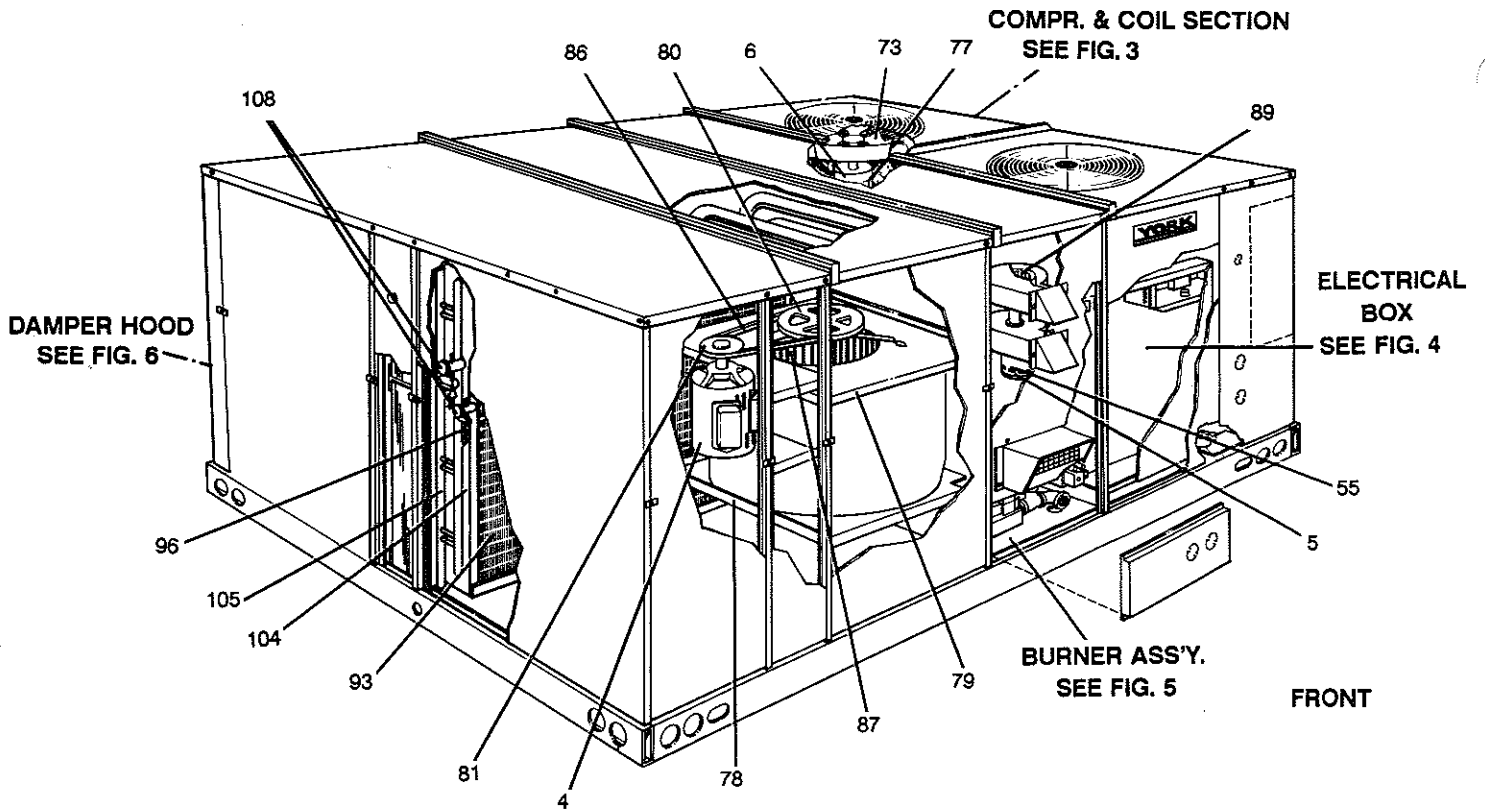


FIG. 1 - SINGLE PACKAGE AIR CONDITIONER

SECTION	FIG	ITEM	DESCRIPTION	D1IG240N32050A
ELECTRICAL				(8 BURNER)
	*	18	CONTACT, SPLIT PIN (BOX OF 50) (1)	025-20919-700
	4	19	CONTACTOR (2-REQ'D)	[1M,2M] 024-25311-700
	4	20	CONTACTOR (2-REQ'D)	[4M,5M] 024-25307-700
	4	21	CONTACTOR (1-REQ'D)	[3M] 024-25310-700
	*	22	CONTROL, HIGH PRESSURE (HP)	025-17620-725
	4	23	CONTROL, TEMP.	[TLA] 025-27723-001
	*	24	CONTROL, TEMP. (LOW EVAP.)	[FS1,2] 025-30253-700
	4	25	FUSE, 3.15 AMP	[16FU] 025-30189-700
	4	26	FUSE, DIAZED (9-REQ'D)	025-30195-700
	4	27	FUSEHOLDER	[16FU] 025-29707-700
	*	28	HOUSING, SINGLE LEAF (16 CKT.)	[S6] 025-26364-000
	*	29	OVERLOAD, RELAY	[BOR] 024-25321-700
	4	30	RELAY, HEAT SEQUENCE	[TDR] 024-19082-738
	4	31	RELAY, KUIP (4-REQ'D)	[RY1&2,RW1&2] 024-25324-700
	4	32	RELAY, TIME DELAY (10 SEC.)	[TD2] 024-25333-700
	4	33	RELAY, TIME DELAY (4 SEC.)	[TD1] 024-25332-700
	*	34	SWITCH, LOW PRESSURE (LP)	025-30249-700
	4	35	TERMINAL BLOCK (4-REQ'D)	[TB8,9,10] 025-29702-700
	4	36	TERMINAL BLOCK (6-REQ'D)	[TB2-7] 025-29696-700
	4	37	TERMINAL BLOCK (7-REQ'D)	[TB11,13,14] 025-29683-000
	4	38	TERMINAL BLOCK	[TB12A & B] 025-29763-000
	4	39	TRANSFORMER	[1T] 025-30364-700
GAS HEAT				
	*	40	BRACKET, LIMIT SWITCH	073-13091-700
	5	41	BURNER, GAS (8-REQ'D)	029-20461-000
	*	42	FLUE BOX, BOTTOM & SIDES	063-93849-000
	*	43	GAS COCK (1)	023-16839-700
	7	44	HEAT EXCHANGER 8 TUBE	363-93846-705

* NOT SHOWN

(1) THESE PARTS SHOULD BE OBTAINED FROM U.K. BASILDON. <

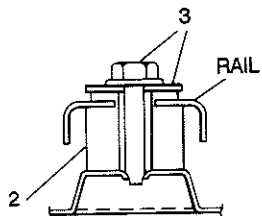


FIG. 2 - COMPRESSOR MOUNTING

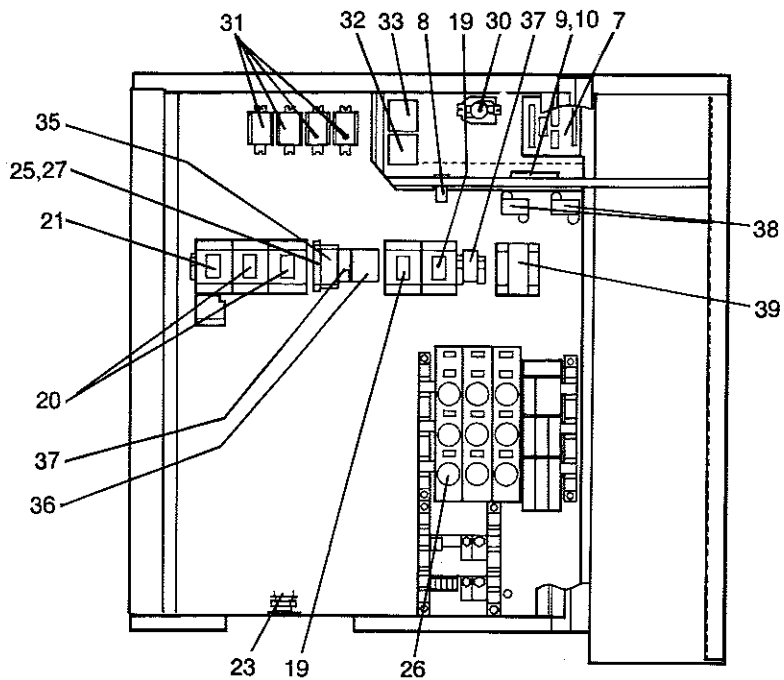


FIG. 4 - ELECTRICAL BOX

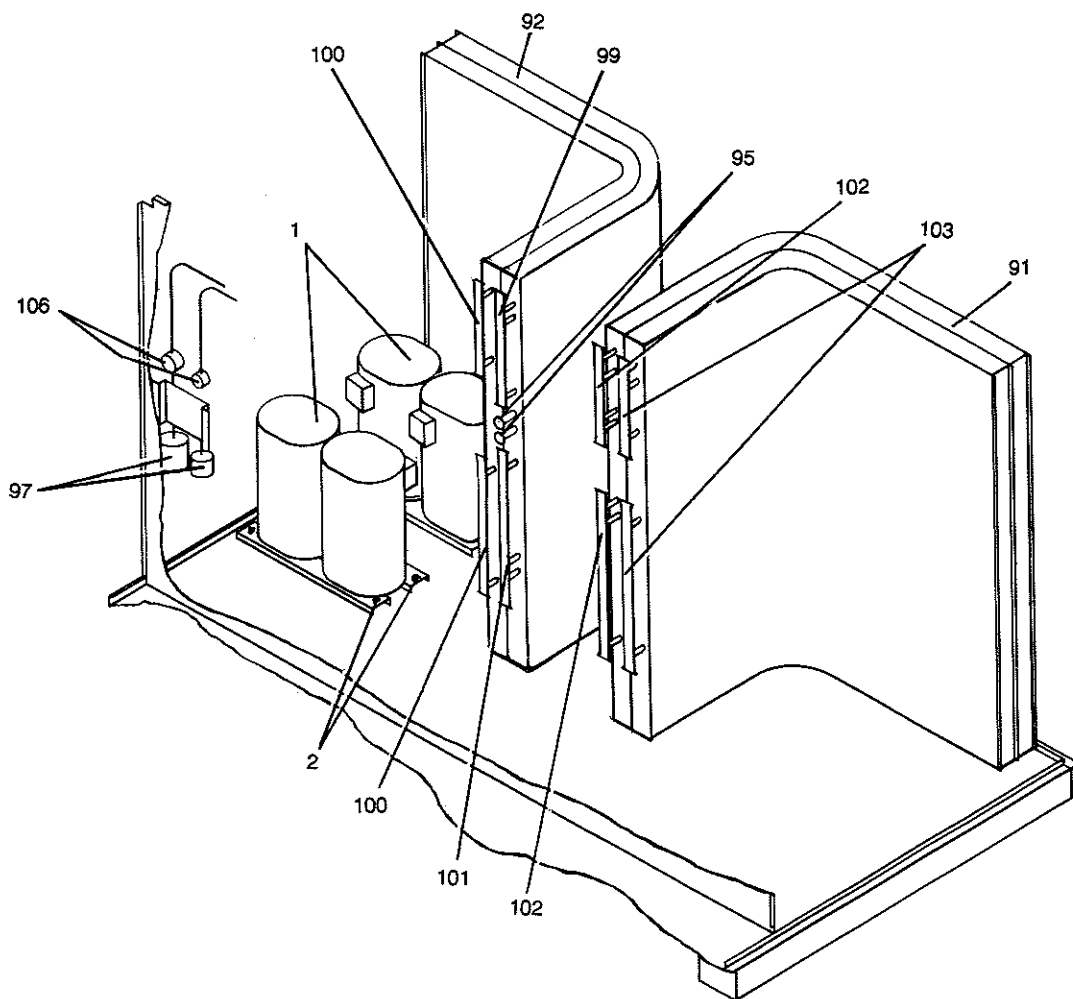


FIG. 3 - COMPRESSOR & COIL SECTION

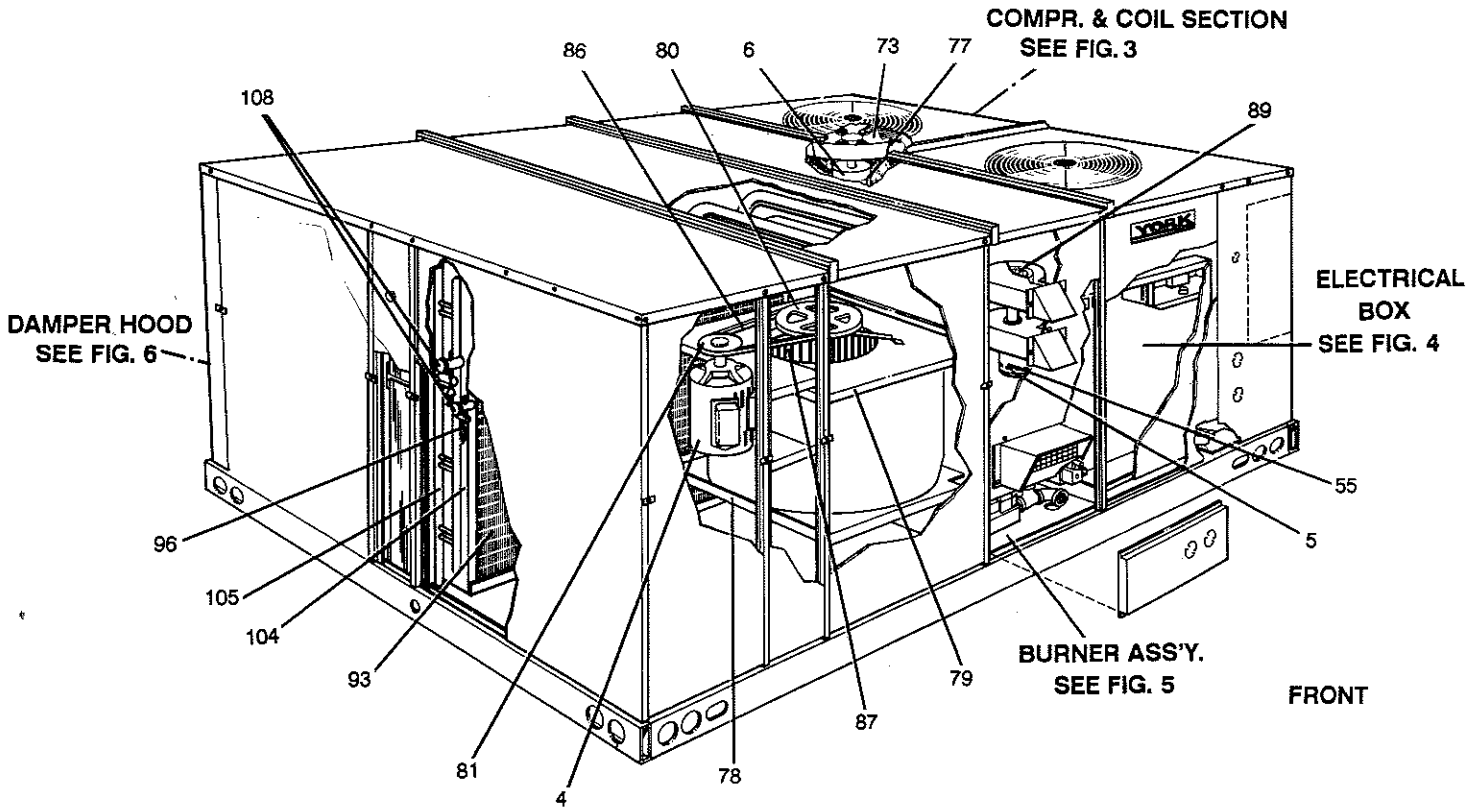


FIG. 1 - SINGLE PACKAGE AIR CONDITIONER

SECTION	FIG	ITEM	DESCRIPTION	D1IG240N32050A
GAS HEAT				(8 BURNER)
	5	45	MANIFOLD, GAS (2-REQ'D) (1)	029-21122-700 <
	5	46	ORIFICE, GAS BURNER 2.82mm (8-REQ'D)	029-21123-734
	5	47	ORIFICE, GAS PILOT (#65) (2-REQ'D) (1)	029-20489-765 <
	*	48	PANEL, FRONT FLUE BOX	063-93865-700
	*	49	PANEL, MIDDLE FLUE BOX	063-93866-700
	*	50	PANEL, TOP FLUE BOX	063-93867-700
	*	51	PANEL, VESTIBULE	373-13090-725
	*	52	PLATE, ORIFICE	063-90038-003
	*	53	PLATE, VENT (LOWER SCROLL)	073-03170-000
	*	54	PLATE, VENT (TOP SCROLL)	073-03210-000
	1	55	SPACER, VENTOR MOTOR	073-03169-000
	5	56	TUBE, CARRYOVER	029-20099-000
GAS ELEC.				
CONTROLS	*	57	CONTROL, TEMP. LIMIT (HL) [LS2]	025-26366-002
	*	58	CONTROL, TEMP. LIMIT	025-26366-001
	*	59	CONTROL, TEMP. MANUAL RESET(HL) [LS1]	025-30232-700
	*	60	IGNITION CONTROL (2-REQ'D) [IC#1 & #2]	025-29675-700
	*	61	IGNITION TRANSFORMER #1&2 (2-REQ'D) (1)	025-30366-700 <
	5	62	IGNITOR, SPARK (2-REQ'D)	025-30370-700
	*	63	RELAY, IGNITION SEQUENCE [RIS]	024-25909-700
	5	64	SENSOR, FLAME W/TERM (L/H ROLLOUT)	025-30371-701
	5	65	SENSOR, FLAME W/TERM (R/H ROLLOUT)	025-30371-702
	*	66	SWITCH, AIR PRESSURE [AS]	025-29679-700
	*	67	TERMINAL BLOCK 8-POLE [TB15]	025-29763-000
	*	68	TERMINAL BLOCK, BAR [TB14]	025-29762-000
	5	69	VALVE, GAS W/O SWITCH (DUNGS) (1) [GV-2]	025-30369-702 <
	5	70	VALVE, GAS W/SWITCH (DUNGS) (1) [GV-1]	025-30369-701 <
	-	71	-FOR FUTURE USE-	

* NOT SHOWN

(1) THESE PARTS SHOULD BE OBTAINED FROM U.K. BASILDON. <

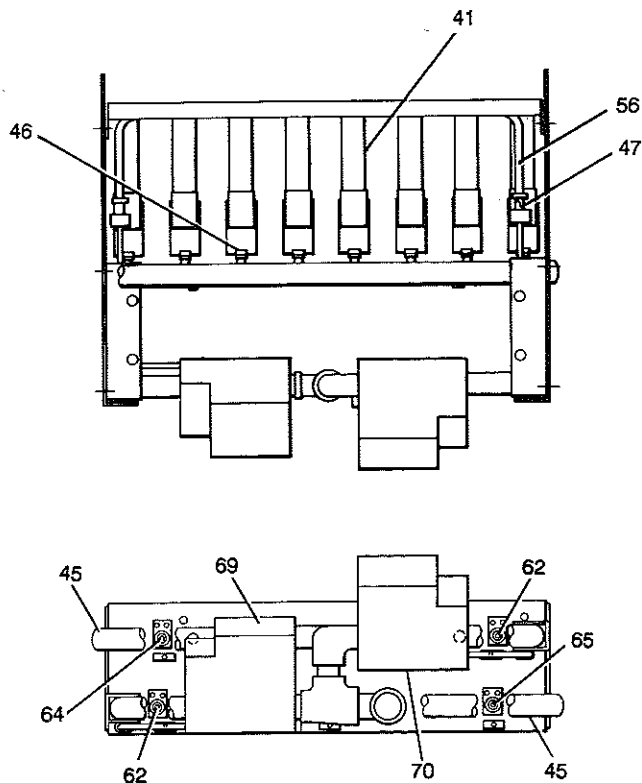


FIG. 5 - BURNER ASSEMBLY

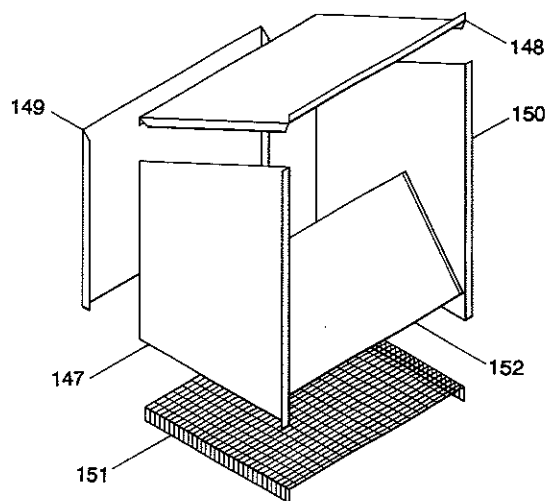


FIG. 6 - DAMPER HOOD

SECTION	FIG	ITEM	DESCRIPTION	D1IG240N32050A
AIR MOVING				(8 BURNER)
	7	72	BEARING, BALL 3-BOLT FLANGE (2-REQ'D)	028-20490-000
	1	73	BLADE, FAN (2-REQ'D)	028-32577-700
	7	74	BRACKET, BEARING (2-REQ'D)	028-25552-000
	*	75	KEY, STEEL 1/4 SQ.X 6.375" LG. (WHEEL)	001-07110-004
	*	76	KEY, STEEL 1/4 SQ.X 2.0" LG. (PULLEY)	001-07110-005
	1	77	MOUNT, MOTOR	028-25568-000
	1	78	PLATE, BOTTOM 18" BLOWER	073-10755-700
	1	79	PLATE, TOP 18" BLOWER	073-10754-700
	1	80	PULLEY, FIXED PITCH (BLOWER)	028-12012-000
	1	81	PULLEY, VARIABLE PITCH (MOTOR)	028-12010-000
	7	82	SCROLL, 18" BLOWER	063-94675-000
	7	83	SCROLL, VENTOR (2-REQ'D)	073-09343-700
	*	84	SHAFT, BLOWER 18" WHEEL	001-07116-000
	*	85	SUPPORT, FAN	028-25551-000
	1	86	V-BELT (BX-81)	028-12017-000
	1	87	WHEEL, BLOWER 18"	028-25529-703
	*	88	WHEEL, BLOWER (LOWER VENTOR MOTOR)	028-32625-700
	1	89	WHEEL, BLOWER (UPPER VENTOR MOTOR)	028-32626-700

* NOT SHOWN

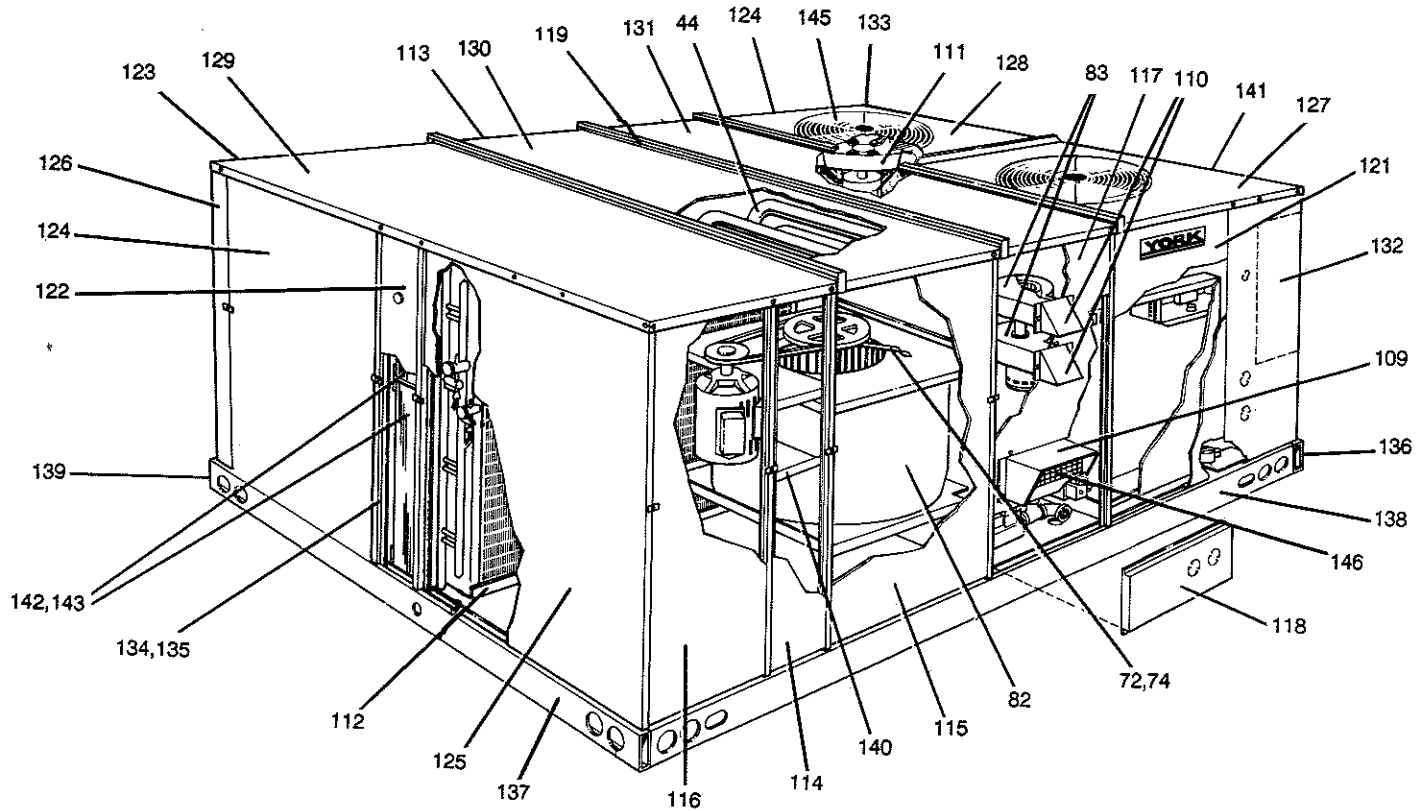


FIG. 7 - SINGLE PACKAGE AIR CONDITIONER

SECTION	FIG	ITEM	DESCRIPTION	D11G240NS2050A
REFRIGERANT				(8 BURNER)
	*	90	CAP, SEAL (1/4 FLARE)	023-11018-000
	3	91	COIL, COND.FRONT (FORMED W/HEADERS)	373-06295-700
	3	92	COIL, COND.REAR (FORMED W/DISTR. & HDRS)	373-06296-700
	1	93	COIL, EVAP. (INCL. TXV, DISTR. & HDRS)	373-06228-700
	*	94	CORE, VALVE	022-02475-000
	3	95	DISTRIBUTOR, REFRIG. (2-REQ'D)	026-23209-000
	1	96	DISTRIBUTOR W/TUBES (7 OUTLETS) (2-REQ'D)	026-32679-703
	3	97	FILTER DRIER (LIQUID LINE) (2-REQ'D)	026-14777-712
	*	98	GROMMET, PVC RED 2.375 HOLE	028-04698-000
	3	99	HEADER, CONDENSER (REAR COIL)	373-06296-740
	3	100	HEADER, CONDENSER (REAR COIL) (2-REQ'D)	373-06296-730
	3	101	HEADER, CONDENSER (REAR COIL)	373-06296-750
	3	102	HEADER, CONDENSER (FRONT COIL) (2-REQ'D)	373-06295-740
	3	103	HEADER, CONDENSER (FRONT COIL) (2-REQ'D)	373-06295-730
	1	104	HEADER, SYSTEM 1 (EVAP)	373-06228-720
	1	105	HEADER, SYSTEM 2 (EVAP)	373-06228-730
	3	106	INDICATOR, MOISTURE LIQUID (2-REQ'D)	026-12525-700
	*	107	STEM, VALVE (1/4 OD TUBE)	022-08017-000
	1	108	VALVE, THERMAL EXPANSION (2-REQ'D)	022-06852-001

* NOT SHOWN

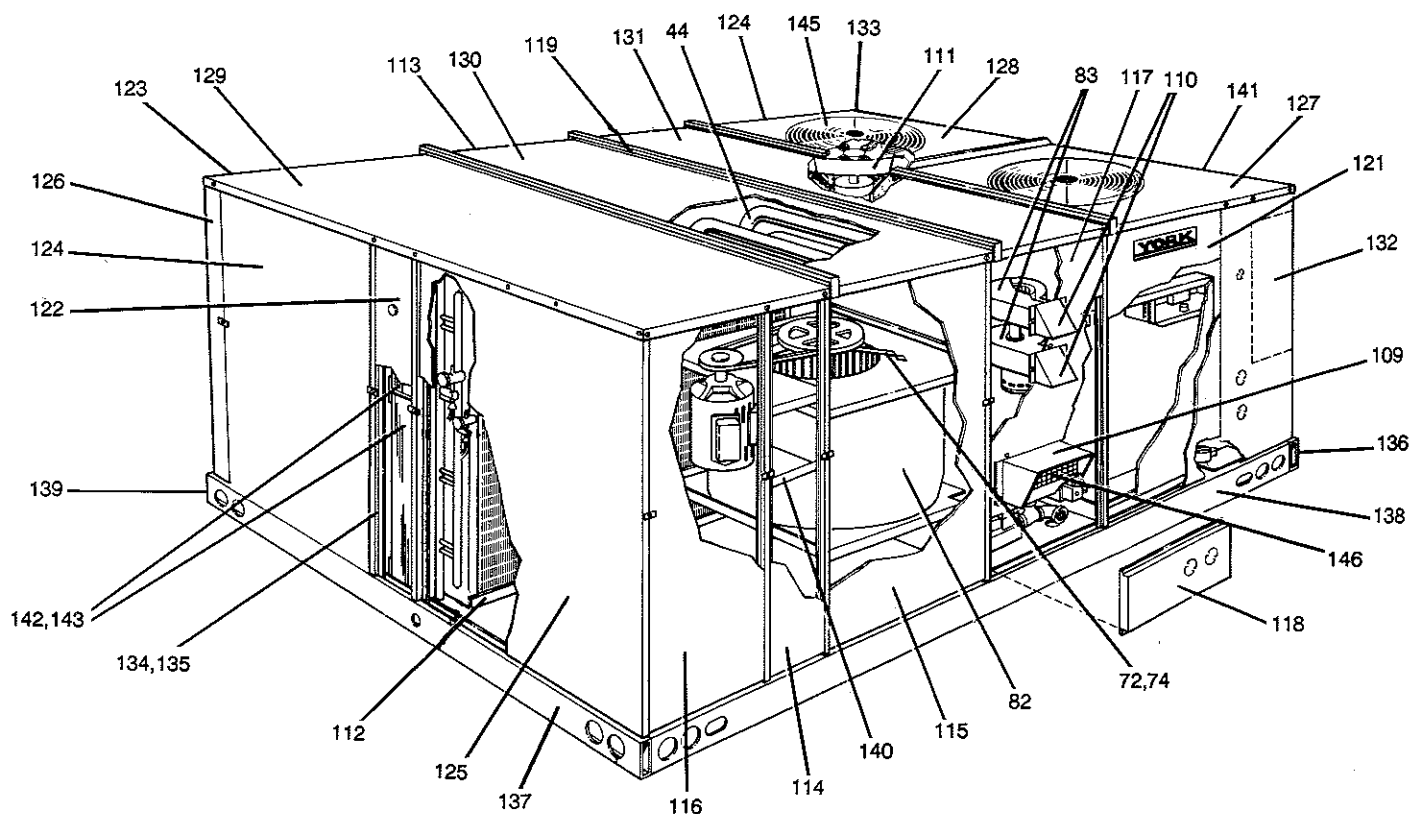


FIG. 7 - SINGLE PACKAGE AIR CONDITIONER

SECTION	FIG	ITEM	DESCRIPTION	D1IG240N32050A
FABRICATED				(8 BURNER)
PARTS	7	109	HOOD, AIR INLET	063-94817-000
	7	110	HOOD, FLUE OUTLET W/SCREEN	373-12684-701
	7	111	ORIFICE, FAN	063-94820-000
	7	112	PAN, DRAIN	373-05199-702
	7	113	PANEL, ACCESS (DAMPER)	363-94829-734
	7	114	PANEL, ACCESS (BLOWER SUPP'T)	373-06317-255
	7	115	PANEL, ACCESS (BLOWER)	373-06317-265
	7	116	PANEL, ACCESS (BLOWER MOTOR)	373-06317-250
	7	117	PANEL, ACCESS (TOP HEAT SECT.)	063-94770-000
	7	118	PANEL, ACCESS (BTM. HEAT SECT.)	063-94769-000
	7	119	PANEL, ACCESS (REAR HEAT SECT.)	373-06317-260
	7	120	PANEL, ACCESS (COMPR.)	063-93795-000
	7	121	PANEL, ACCESS (CONTROL)	063-93794-000
	7	122	PANEL, ACCESS (FILTERS)	373-06317-255
	7	123	PANEL, ACCESS (FRESH AIR, REAR)	373-06317-270
	7	124	PANEL, ACCESS (FRESH AIR, EVAP. END)	373-06317-265
	7	125	PANEL, CORNER (EVAP. FRONT)	373-06317-330
	7	126	PANEL, CORNER (EVAP. REAR)	373-06317-325
	7	127	PANEL, TOP (COND. FRONT)	063-93750-000
	7	128	PANEL, TOP (COND. REAR)	063-93751-000
	7	129	PANEL, TOP (EVAP. L/H)	373-06317-310
	7	130	PANEL, TOP (EVAP. R/H)	373-06317-315
	7	131	PANEL, TOP (HEAT SECTION)	373-06317-320
	7	132	POST, CORNER (FRONT RIGHT)	063-93805-000
	7	133	POST, CORNER (REAR RIGHT)	063-93786-000
	7	134	POST, FRAME (INNER) (8-REQ'D)	073-10391-700

* NOT SHOWN

SECTION	FIG	ITEM	DESCRIPTION	D11G240N32050A
FABRICATED				(8 BURNER)
PARTS	7	135	POST, FRAME (OUTER) (8-REQ'D)	063-94671-700
	7	136	RAIL, BASE COND.	073-10757-700
	7	137	RAIL, BASE EVAP.	073-10807-700
	7	138	RAIL, BASE FRONT	063-94788-700
	7	139	RAIL, BASE REAR	063-94789-700
	7	140	SUPPORT, MOTOR	063-94674-000
MISC.	7	141	GUARD, COIL	026-31432-702
	7	142	FILTER, AIR (2 X 16 X 25)	4 REQ'D
	7	143	FILTER, AIR (2 X 16 X 20)	4 REQ'D
	*	144	CATCH, MAGNETIC (CNT'L PNL)	029-15650-000
	7	145	GUARD, FAN	026-25549-000
	7	146	SCREEN, AIR INLET	026-31407-000
DAMPER	6	147	PANEL, DAMPER (RIGHT SIDE)	073-02286-700
	6	148	PANEL, DAMPER (TOP)	073-02289-700
	6	149	PANEL, DAMPER (FRONT)	073-02268-700
	6	150	PANEL, DAMPER (LEFT SIDE)	073-02267-700
	6	151	SCREEN, DAMPER (BLANK)	026-31409-700
	6	152	BAFFLE, DAMPER	073-02272-700

FOR FACTORY OR FIELD INSTALLED ACCESSORIES SEE THE FOLLOWING PARTS LISTS:

ACCESSORIES - ELECTRICAL

DESCRIPTION	MODEL NO.
ELECT. ENTHALPY ECONO./DUAL INPUT	2EE04700624A
MOTORIZED OUTDOOR DAMPER	2MD04702124A
ELECTRIC HEAT 18KW	2RE04501850A
ELECTRIC HEAT 36KW	2RE04503650A
ELECTRIC HEAT 54KW	2RE04505450A
ELECTRIC HEAT 72KW	2TE04507250A

ACCESSORIES - NON-ELECTRICAL

DESCRIPTION	MODEL NO.
HIGH SPEED DRIVE	1LD0419A



Heating and Air Conditioning